

# CWTF-DV-3 (2U/1L Warmer)

18.9" x 17.7" x 8.5"  
(48.0cm x 45.0cm x 21.6cm)

- All stainless steel construction
- Hot water faucet and pourover feature
- SplashGard® funnel deflects hot liquids away from the hand



 Servers and airpots sold separately

Agency:



## Specifications

**Product #:** 12950.0410

**Warmers:** Two Upper/ One Lower

**Water Access:** Plumbed

**Finish:** Stainless

**Funnel:** Stainless Steel

**Faucet:** Upper

## Additional Features

Pourover Option

## Electrical & Capacity

Volts	Amps	Watts	Cord Attached	Plug Type	8oz cups/hr 236ml cups/hr	Input H <sup>2</sup> O Temp.	Phase	# Wires plus Ground	Hertz
120	13.9	1670	No	-	61	60°F (15.5°C)	1	2	60

## Plumbing Requirements

PSI	kPa	Fitting Supplied	Water Flow Required (GPM)
20-90	138-621	1/4" Male Flare Fitting	-

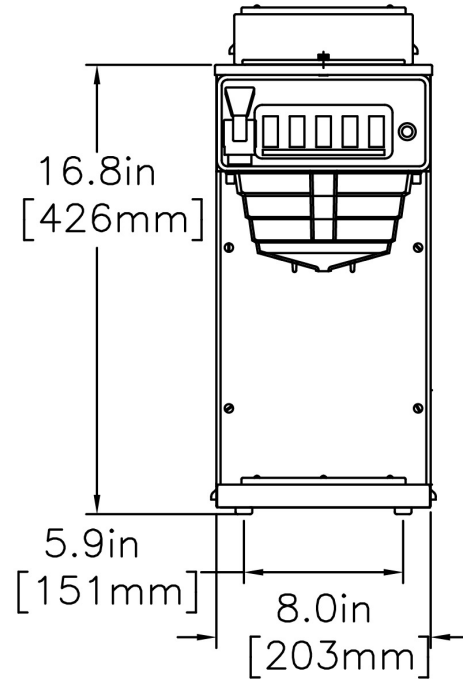
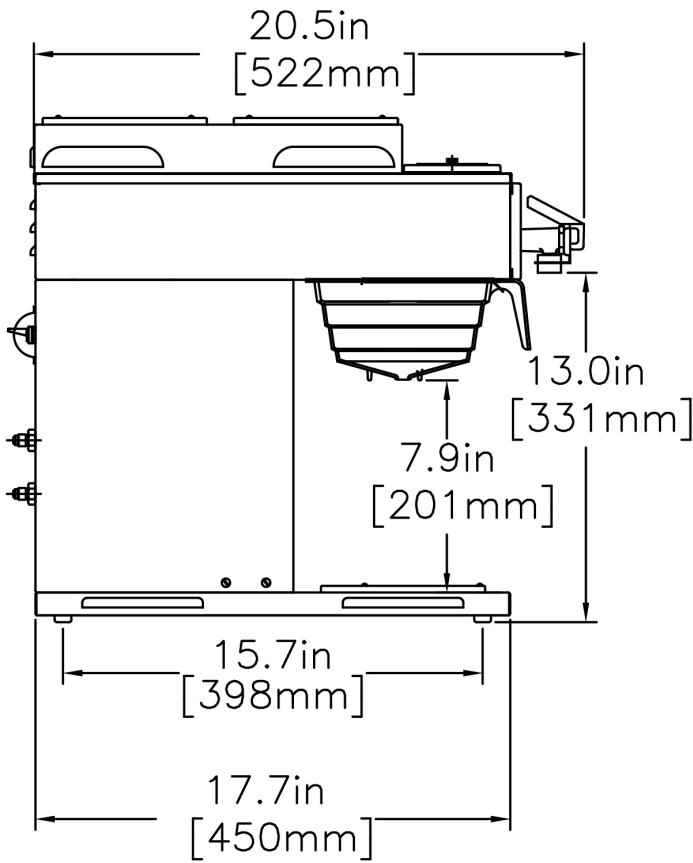
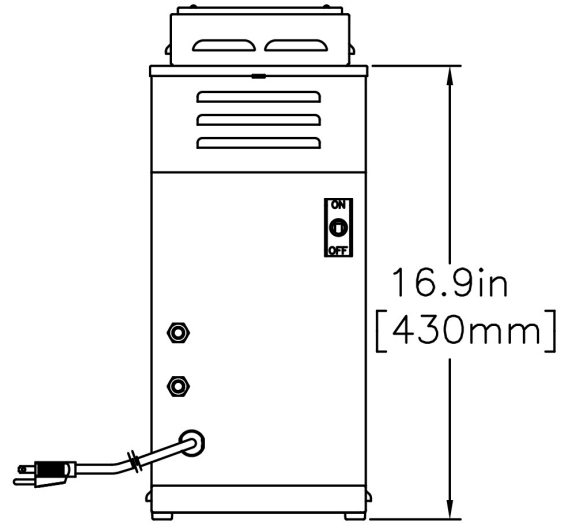
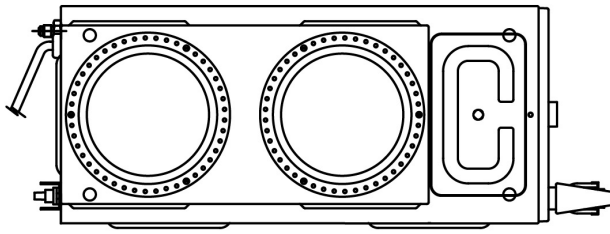
## CAD Drawings

2D	Revit	KLC
●		



BUNN® reserves the right to change specifications and product design without notice. Such revisions do not entitle the buyer to corresponding changes, improvements, additions or replacements for previously purchased equipment. For most current specifications and other info visit [bunn.com](http://bunn.com).

Created on:  
12/10/2015



	Unit			Shipping				
	Width	Height	Depth	Width	Height	Depth	Weight	Volume
English	8.5 in.	18.9 in.	17.7 in.	-	-	-	34.157 lbs	5.440 ft <sup>3</sup>
Metric	21.6 cm	48.0 cm	45.0 cm	-	-	-	15.494 kgs	0.154 m <sup>3</sup>



BUNN® reserves the right to change specifications and product design without notice. Such revisions do not entitle the buyer to corresponding changes, improvements, additions or replacements for previously purchased equipment. For most current specifications and other info visit [bunn.com](http://bunn.com).

Created on:  
12/10/2015

Related Products & Accessories: CWTF-DV-3 (2U/1L Warmer)(12950.0410)



FILTERS,REGULAR1M  
500/2 50/CL

Product #: 20115.0000



FUNNEL ASSY, SST-BLK  
HDL(7.12

Product #: 20216.0000



WATER FILTER  
SYSTEM, EQ-17-TL

Product #: 30200.1000



WATER FILTER,IN LINE  
ED-17-TL

Product #: 30201.1001



BUNN® reserves the right to change specifications and product design without notice. Such revisions do not entitle the buyer to corresponding changes, improvements, additions or replacements for previously purchased equipment. For most current specifications and other info visit [bunn.com](http://bunn.com).

Created on:  
12/10/2015

