


# CWTF15-3, SF (3 Lower Warmers)

17.0" x 17.7" x 16.5"  
(43.2cm x 45.0cm x 41.9cm)

- All stainless steel construction
- Hot water faucet and pourover feature
- SplashGard® funnel deflects hot liquids away from the hand



 Servers and airpots sold separately

Agency:



## Specifications

**Product #:** 12950.0216

**Warmers:** Three Lower

**Water Access:** Plumbed

**Finish:** Stainless

**Funnel:** Stainless Steel

**Faucet:** Upper

## Additional Features

Low Profile

Pourover Option

## Electrical & Capacity

| Volts | Amps | Watts | Cord Attached | Plug Type  | 8oz cups/hr<br>236ml cups/hr | Input H <sup>2</sup> O Temp. | Phase | # Wires plus Ground | Hertz |
|-------|------|-------|---------------|------------|------------------------------|------------------------------|-------|---------------------|-------|
| 120   | 13.9 | 1670  | Yes           | NEMA 5-15P | 62                           | 60°F (15.5°C)                | 1     | 2                   | 60    |

## Plumbing Requirements

| PSI   | kPa     | Fitting Supplied        | Water Flow Required (GPM) |
|-------|---------|-------------------------|---------------------------|
| 20-90 | 138-621 | 1/4" Male Flare Fitting | -                         |

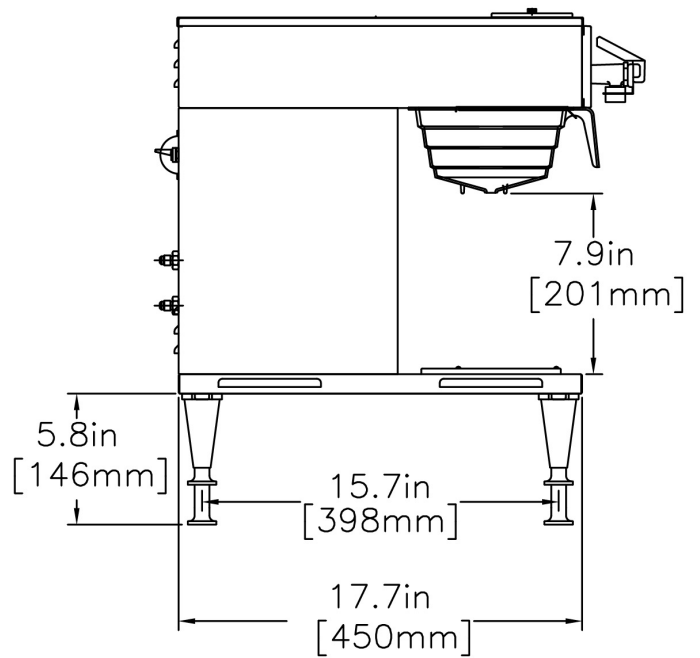
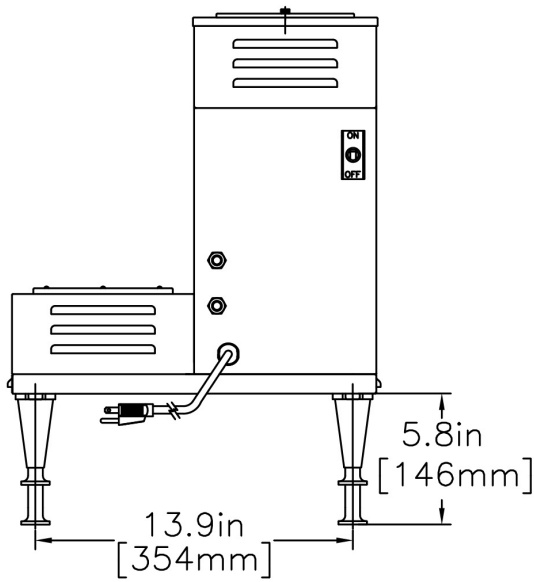
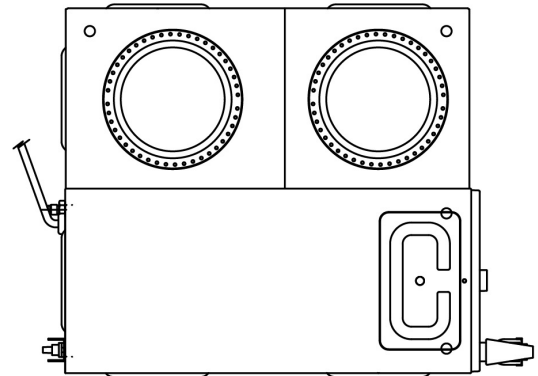
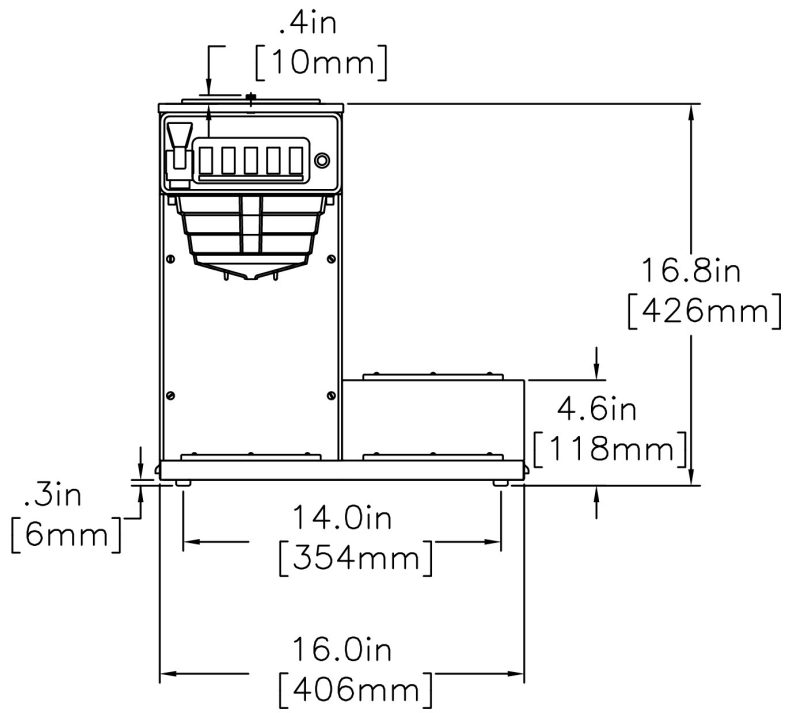
## CAD Drawings

| 2D | Revit | KLC |
|----|-------|-----|
| ●  |       |     |



BUNN® reserves the right to change specifications and product design without notice. Such revisions do not entitle the buyer to corresponding changes, improvements, additions or replacements for previously purchased equipment. For most current specifications and other info visit [bunn.com](http://bunn.com).

Created on:  
01/25/2016



|         | Unit     |          |          | Shipping |        |       |            |                       |
|---------|----------|----------|----------|----------|--------|-------|------------|-----------------------|
|         | Width    | Height   | Depth    | Width    | Height | Depth | Weight     | Volume                |
| English | 16.5 in. | 17.0 in. | 17.7 in. | -        | -      | -     | 43.000 lbs | 5.939 ft <sup>3</sup> |
| Metric  | 41.9 cm  | 43.2 cm  | 45.0 cm  | -        | -      | -     | 19.505 kgs | 0.168 m <sup>3</sup>  |



BUNN® reserves the right to change specifications and product design without notice. Such revisions do not entitle the buyer to corresponding changes, improvements, additions or replacements for previously purchased equipment. For most current specifications and other info visit [bunn.com](http://bunn.com).

Created on:  
01/25/2016

Related Products & Accessories: CWTF15-3, SF (3 Lower Warmers)(12950.0216)



FILTERS,REGULAR1M  
500/2 50/CL

Product #: 20115.0000



FUNNEL ASSY, SST-BLK  
HDL(7.12

Product #: 20216.0000



WATER FILTER  
SYSTEM, EQ-17-TL

Product #: 30200.1000



WATER FILTER,IN LINE  
ED-17-TL

Product #: 30201.1001



BUNN® reserves the right to change specifications and product design without notice. Such revisions do not entitle the buyer to corresponding changes, improvements, additions or replacements for previously purchased equipment. For most current specifications and other info visit [bunn.com](http://bunn.com).

Created on:  
01/25/2016

