

CW15-TC w/Plastic Funnel

17.9" x 18.5" x 9.0"
(45.5cm x 47.0cm x 22.9cm)

- Models are space saving 9" wide (22.9cm)
- All stainless steel construction
- Pour-over brewer requires no plumbing – completely portable
- SplashGard® funnel deflects hot liquids away from the hand
- Accommodates thermal carafe up to 8.5" (21.6 cm) tall
- Use in quick turn environments where high quality coffee is continuously refreshed



Servers and airpots sold separately

Agency:



Specifications

Product #: 23001.0040

Water Access: Not Plumbed

Finish: Stainless

Funnel: Black Plastic

Additional Features

Pourover Option

Electrical & Capacity

Volts	Amps	Watts	Cord Attached	Plug Type	8oz cups/hr 236ml cups/hr	Input H ² O Temp.	Phase	# Wires plus Ground	Hertz
120	11.4	1370	Yes	NEMA 5-15P	62	60°F (15.5°C)	1	2	60

Plumbing Requirements

PSI	kPa	Fitting Supplied	Water Flow Required (GPM)
-	-	-	-

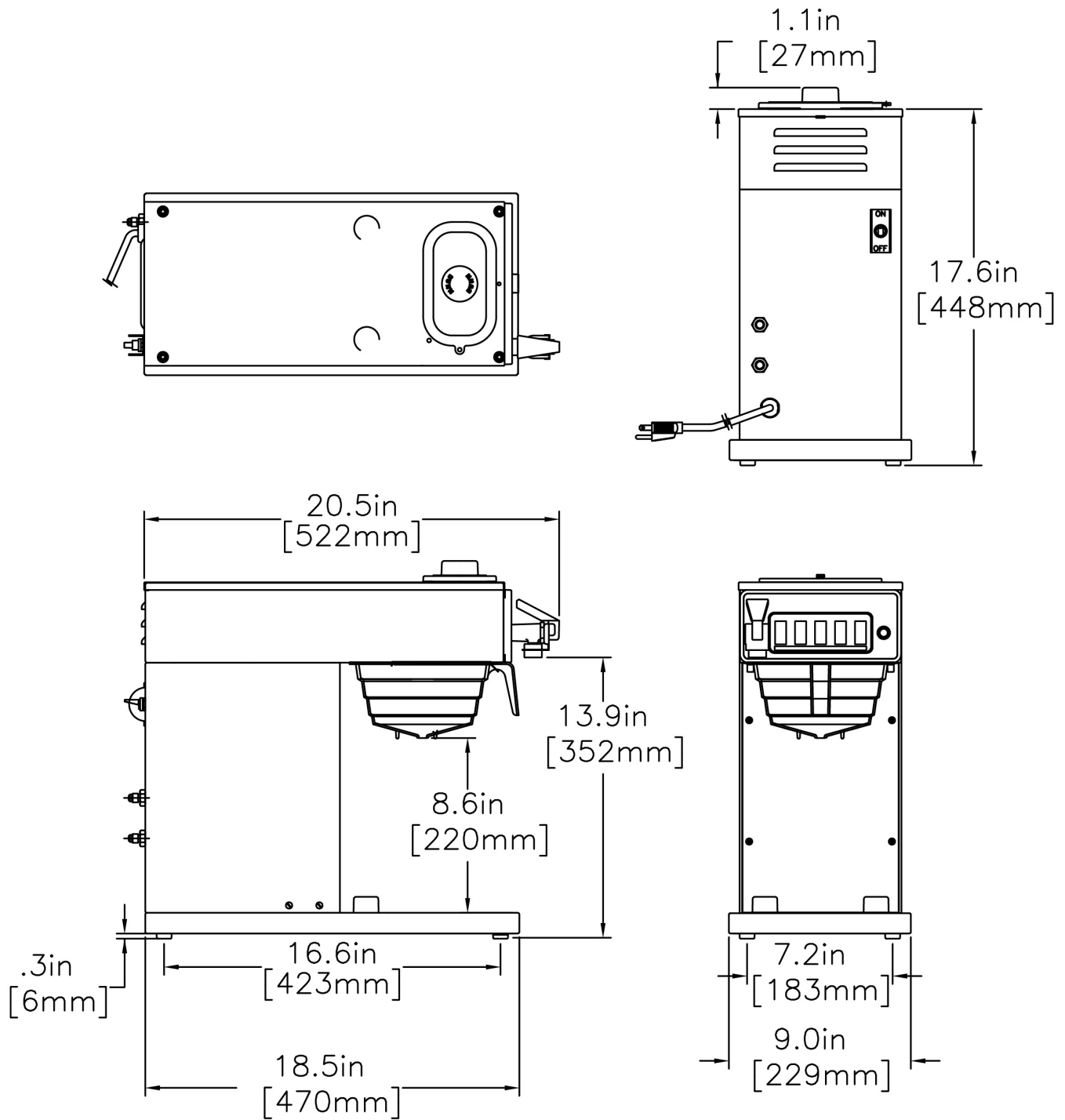
CAD Drawings

2D	Revit	KLC
●		



BUNN® reserves the right to change specifications and product design without notice. Such revisions do not entitle the buyer to corresponding changes, improvements, additions or replacements for previously purchased equipment. For most current specifications and other info visit bunn.com.

Created on:
01/26/2016



	Unit			Shipping				
	Width	Height	Depth	Width	Height	Depth	Weight	Volume
English	9.0 in.	17.9 in.	18.5 in.	-	-	-	29.207 lbs	4.037 ft ³
Metric	22.9 cm	45.5 cm	47.0 cm	-	-	-	13.248 kgs	0.114 m ³



BUNN® reserves the right to change specifications and product design without notice. Such revisions do not entitle the buyer to corresponding changes, improvements, additions or replacements for previously purchased equipment. For most current specifications and other info visit bunn.com.

Created on:
01/26/2016

Related Products & Accessories: CW15-TC w/Plastic Funnel(23001.0040)



FILTERS,REGULAR1M
500/2 50/CL

Product #: 20115.0000



WATER FILTER
SYSTEM, EQ-17-TL

Product #: 30200.1000



BUNN® reserves the right to change specifications and product design without notice. Such revisions do not entitle the buyer to corresponding changes, improvements, additions or replacements for previously purchased equipment. For most current specifications and other info visit bunn.com.

Created on:
01/26/2016

