

WATER FILTER, EQHP-10L

0.0" x 0.0" x 0.0"
(0.0cm x 0.0cm x 0.0cm)

- Filter cartridges incorporate carbon block media and require no pre-activation
- Equipment protection from reduced sediment particles that can clog the sprayhead
- Consistent brewed coffee and tea from water with reduced sediment and chlorine taste and odor



Agency:

Specifications

Product #: 39000.0001

Cartridge Type: Quick Change

Additional Features

Capacity

Service Flow Rate	Capacity	Micron Rating
-	10000 gal. (37853.4 L) @0 GPG of hardness	-

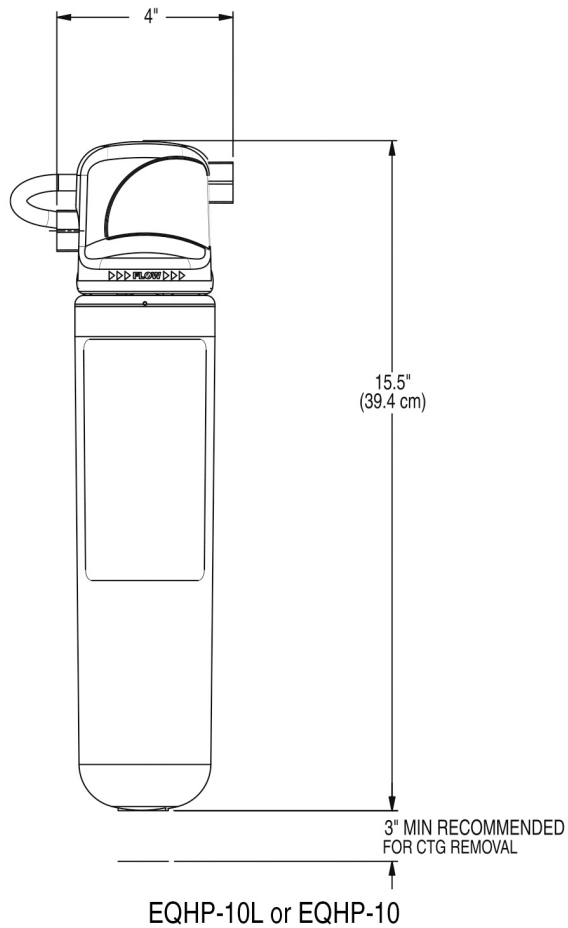
Plumbing Requirements

Max Operating Pressure	Max Operating Temperature	Inlet Connection	Outlet Connection
-	-	-	-



BUNN® reserves the right to change specifications and product design without notice. Such revisions do not entitle the buyer to corresponding changes, improvements, additions or replacements for previously purchased equipment. For most current specifications and other info visit bunn.com.

Created on:
01/11/2016



Unit				Shipping				
	Width	Height	Depth	Width	Height	Depth	Weight	Volume
English	-	-	-	-	-	-	2.607 lbs	-
Metric	-	-	-	-	-	-	1.183 kgs	-



BUNN® reserves the right to change specifications and product design without notice. Such revisions do not entitle the buyer to corresponding changes, improvements, additions or replacements for previously purchased equipment. For most current specifications and other info visit bunn.com.

Created on:
01/11/2016

Related Products & Accessories: WATER FILTER, EQHP-10L(39000.0001)



GAUGE, WATER FILTER
EQHP

Product #: 39000.0100



WATER FILTER HEAD,
EQHP-VHD

Product #: 39000.1000



CARTRIDGE,
EQHP-10LCRTG

Product #: 39000.1001



CARTRIDGE,
EQHP-10CRTG

Product #: 39000.1004



BUNN® reserves the right to change specifications and product design without notice. Such revisions do not entitle the buyer to corresponding changes, improvements, additions or replacements for previously purchased equipment. For most current specifications and other info visit bunn.com.

Created on:
01/11/2016

Model Compatibility: WATER FILTER, EQHP-10L(39000.0001)

Compatibility selections are currently unavailable. Please contact your sales representative to find out more information.



BUNN® reserves the right to change specifications and product design without notice. Such revisions do not entitle the buyer to corresponding changes, improvements, additions or replacements for previously purchased equipment. For most current specifications and other info visit bunn.com.

Created on:
01/11/2016